



**ROEMHELD**  
HILMA ■ STARK



*Ergonomic,  
efficient and safe*



**Bike basic Lift**



**Bike pro Stand**



**Bike pro Mobil**



### *More than 70 years of experience in the industry*

For more than 70 years, we have been developing and producing products not only for workholding, but also components and systems for assembly and handling technology in manufacturing. Our products are used in a wide range of industries – from automotive to suppliers. You will find our lifting columns, and rotating and tilting equipment wherever heavy loads must be handled.

### *Bicycle assembly stands for production and the workshop*

While the compact bicycle assembly stand **Bike basicLift** is the result of our tried and tested modular handling technology *moduhub*, **Bike proStand** and the mobile **Bike proMobil** are innovations made especially for bicycle assembly. For some years now, our bicycle products have been used by notable bicycle manufacturers as well as in workshops.

## ROEMHELD Bicycle Assembly Stand

### Bike *basic* Lift

Manual-hydraulic lifting



**MOBILE WORKSHOP SERVICE**

### Bike *pro* Stand

Electric lifting and rotation



**BICYCLE WORKSHOP**

### Bike *pro* Mobil

Manual lifting and rotation  
For mobile applications



**INDUSTRIAL ASSEMBLY**

## Bike *basic*Lift



- Easy height adjustment without external power
- Compact and sturdy version for use in mobile workshops



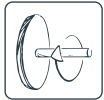
YouTube  
Watch the video



With the **Bike *basic*Lift**, bicycles and e-bikes weighing up to 50 kg can be lifted to an ergonomic working height using the foot pedal. Its stable and compact design allows for ergonomic work in the smallest of spaces.



## Bike *pro* Stand



- Optimal ergonomics and safe working on the bicycle thanks to electric lifting and electric rotation
- High quality industrial grade with collision shutdown when lowering



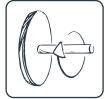
YouTube  
Watch the video



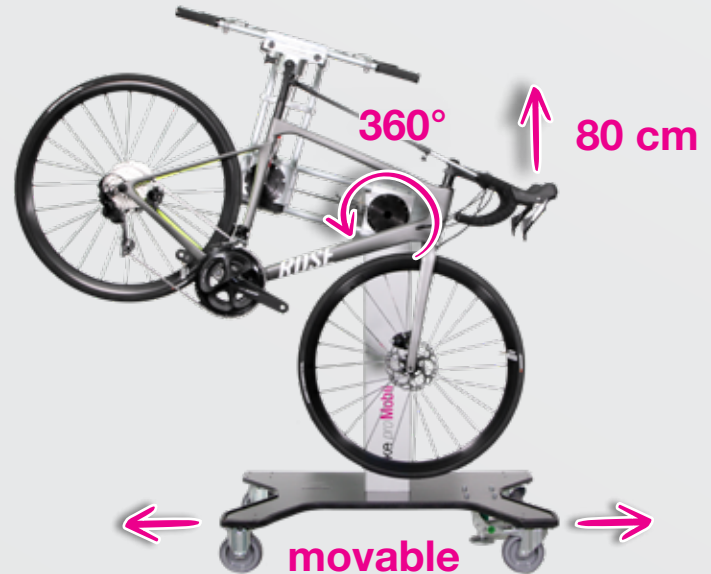
Electric lifting and rotation – bicycle handling is a breeze with the **Bike *pro* Stand**. It steplessly lifts and rotates bicycles weighing up to **40 kg** into the desired working position at the touch of a button. The version without a rotary axis can lift cargo bikes weighing up to **80 kg**.



## Bike *pro* Mobil



- Ergonomic, efficient and safe working thanks to unique, fast height adjustment and rotation of the bicycle, without external power
- Mobile trolley for flexible use, perfectly suited for one-piece flow assembly



YouTube  
Watch the video



With the **Bike *pro* Mobil**, bicycles up to 40 kg can be lifted and rotated quickly, with little force and without external power. Unparalleled kinematics help to easily achieve any ergonomic mounting height and mounting position by combining two rotary axes and a lateral rotation.



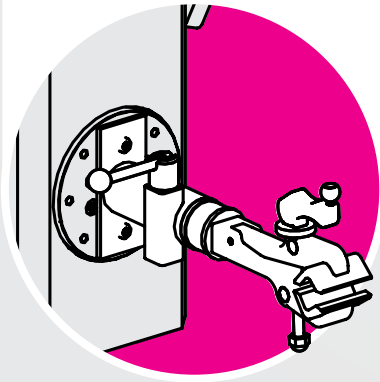


# Accessory

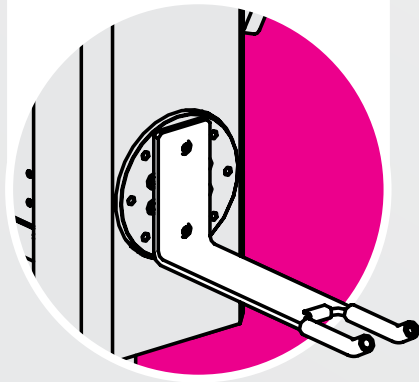
Our bicycle assembly stands can be equipped with almost all bicycle mounts. We offer several common bicycle mounts as accessories.

Application examples:

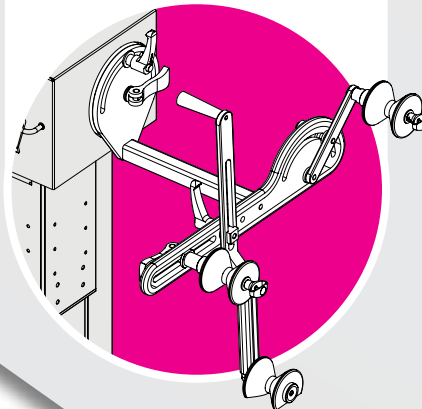
Clamping claw



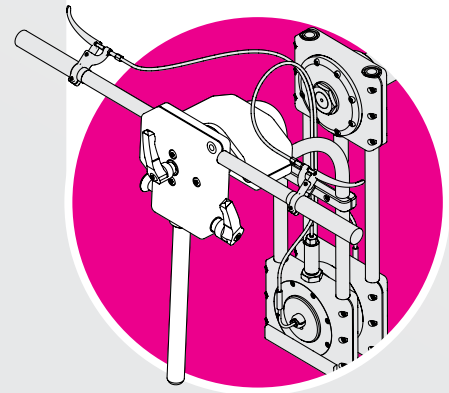
Quick Check pick-up



3-point pick-up



Mandrel

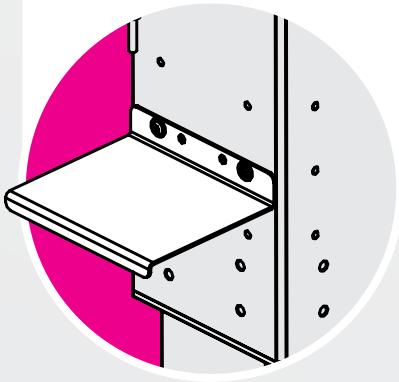




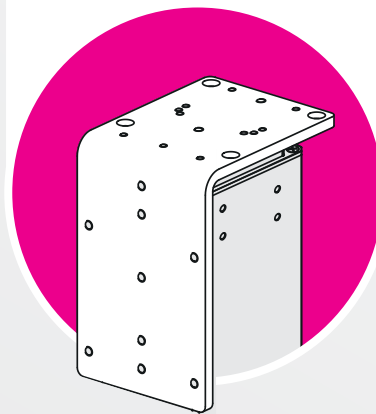
Our bicycle assembly stands can be equipped with shelves and other accessories on request.  
Please contact us!

Application examples:

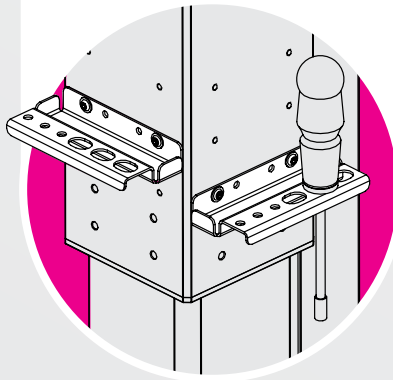
Shelf for magnetic pieces



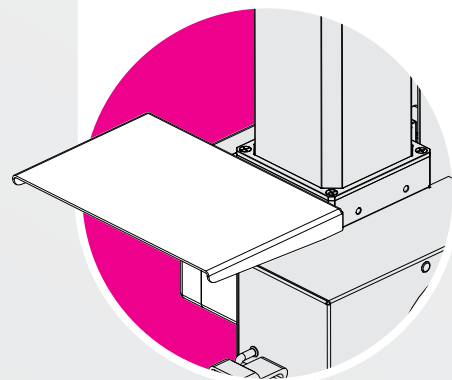
Adapter bracket



Tool holders



PC shelf



Bike *basic* Lift  
Bike *pro* Stand  
Bike *pro* Mobil



**ROEMHELD**  
HILMA ■ STARK

## Interested?

Our Bike Team will be happy to answer your technical and sales questions over the phone or by email:



+49 (0) 6405 89 512  
[mh@roemheld.de](mailto:mh@roemheld.de)



### **Römheld GmbH**

Friedrichshütte  
Römheldstraße 1–5  
35321 Laubach  
Germany

Phone: +49 (0) 6405 / 89 - 0  
E-mail: [info@roemheld.de](mailto:info@roemheld.de)  
[www.roemheld.com](http://www.roemheld.com)